

Emergency Eyewash Station

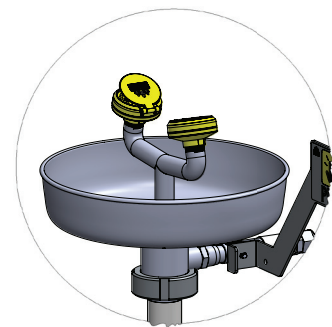
DELUGE SHOWER	EYEWASH	EYE / FACE WASH	HAND OPERATED	FOOT OPERATED	DRAIN BOWL
	✓		✓	✓	✓

APPLICATION

The Spill Crew SCES-EW4 emergency eyewash station delivers a soft, low velocity water stream to gently flush contaminants and irritants from the eyes. These pedestal mount, hand and foot operated units with plumbed, single point water supply connection and eyewash drain bowl are fully compliant with Australian Standard AS4775-2007, Emergency showers and eyewash equipment.

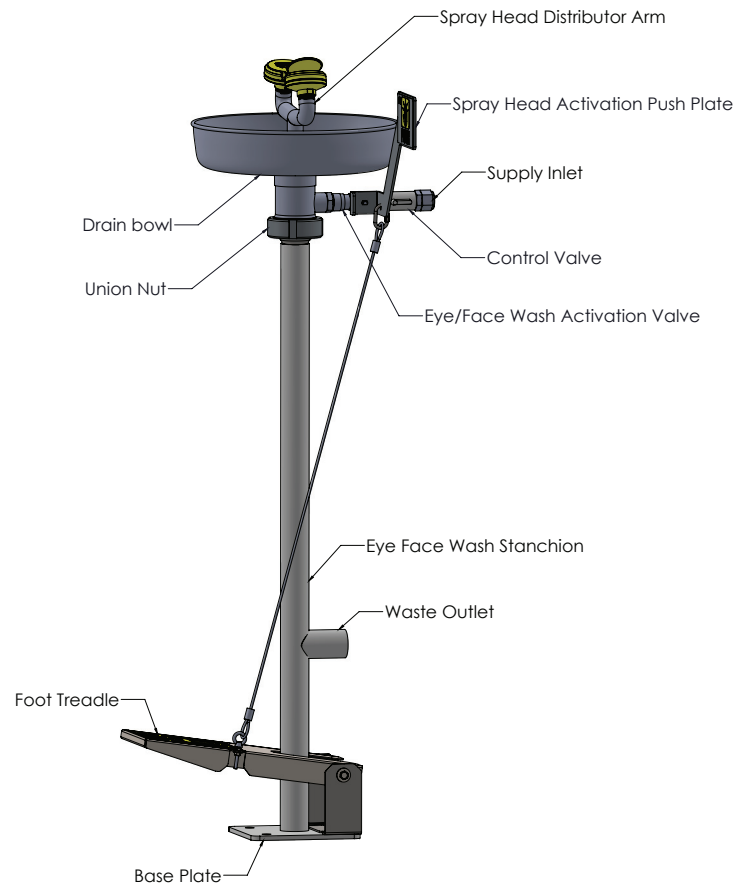
FEATURES

- Manufactured from corrosion resistant materials.
- Hand and/or foot operated eyewash activation valve.
- Durable, engineered OptiStream spray heads with easy to clean filters, flow regulators and self-opening covers to protect flushing fluid from airborne contaminants.
- Drain bowl to direct eyewash flushing water to waste.
- Integral baseplate to allow easy floor fixing.

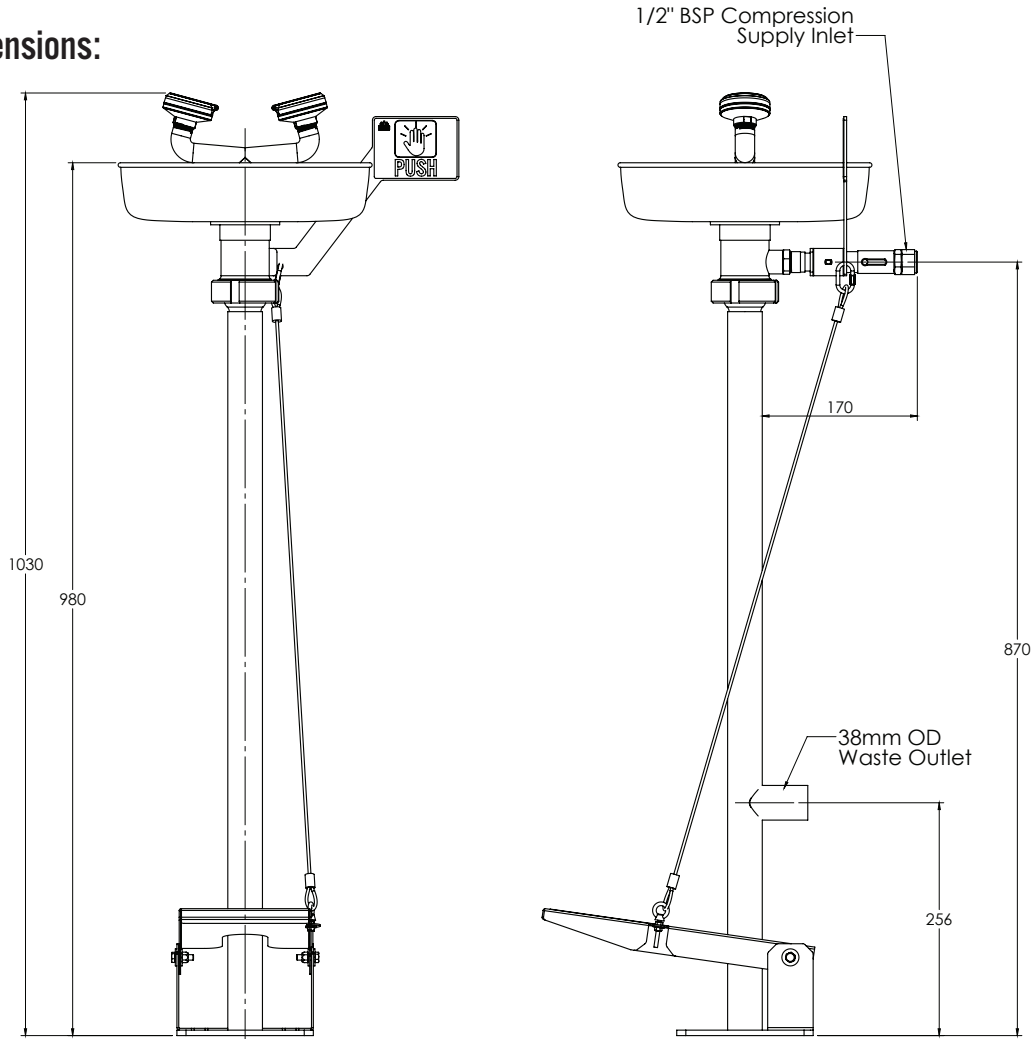


Eyewash Spray Heads

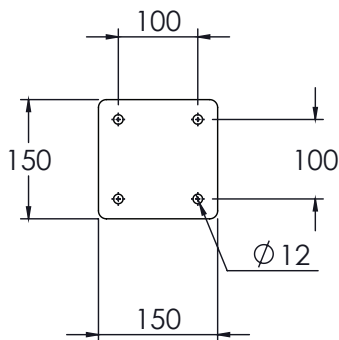
SPECIFICATIONS	
SERVICES	
Supply inlet:	Grade 316 SS, twin ferrule, compression male connector, 12.7mm x 1/2" BSP
Waste outlet:	38mm OD tube spigot to suit 1.1/2" hose
Design pressure - min/max:	210 kPa / 550 kPa
Flow rate - min/design:	1.5 L/min / 11 L/min
Max temperature:	38°C
COMPONENTS	
Pipework:	Grade 316 stainless steel
Activation valve:	1/2 inch, full bore, CF8M, 1000 WOG
Control valve:	1/2 inch, full bore, 316SS, PN63
OptiStream spray heads:	1/2" BSP female, PA66 (Nylon)
OptiStream filters:	80 PPI pore density PU foam
OptiStream flow regulators:	Silicone, 60 duro, tapered orifice
Drain bowl:	Grade 316 stainless steel
Foot treadle assembly:	Grade 316 stainless steel
Activation push plate:	Grade 316 stainless steel
SHIPPING	
Shipping weight:	9kg
Shipping dimensions:	90cm x 32cm x 36cm



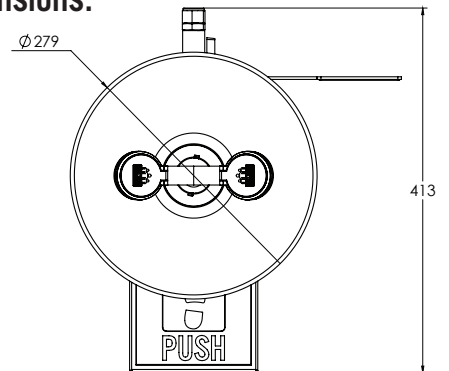
Side View Dimensions:



Base Plate Dimensions:



Top View Dimensions:



PERFORMANCE & COMPLIANCE

Testing:	Spill Crew emergency showers and eyewash equipment are manufactured to meet the requirements of AS4775-2007 and are independently tested for compliance by a NATA accredited laboratory.
Performance:	In accordance with AS4775-2007, plumbed eyewash units must have a minimum uninterrupted flushing supply capable of delivering a minimum of 1.5 L/min @ 210kPa for 15 minutes.
Temperature:	AS4775-2007 refers to flushing fluids in excess of 38°C being harmful to the eyes and can enhance chemical interactions with the skin.
Research & Development:	Due to continual improvement and ongoing research and development, specifications may change without notice.