

# Technical Data Sheet

## Emergency Eyewash and Shower Equipment



### Lighting

#### APPLICATION

Reaching a safety shower or eyewash within ten seconds of injury is imperative when providing suitable first aid facilities and identifying the location, particularly for someone with compromised eyesight, is essential.

Whilst the Australian Standard does not specify colour, green has long been industry recognized as the preferred choice for easy identification of first aid or medical facilities. Green is also the last colour a person can differentiate when their eyesight has been compromised. Spill Crew's green luminaire shower and eyewash lighting provides bright and highly visible identification of first aid facilities.

#### FEATURES

- LED batten light suits all Spill Crew safety shower and eyewash units.
- Polycarbonate body and diffuser with green LED.
- 240 volt with high lumen output.
- Fitted with emergency battery back-up.
- Plug and play – fitted with power cable and plug suitable for non-hazardous areas only.
- Stainless steel surface mounting brackets allow wall or ceiling fixing.
- Optional shower mount kit allows attachment to any Spill Crew deluge shower or combination unit. Kit includes two piece angled arm, arm brackets, light saddle brackets & fixings.

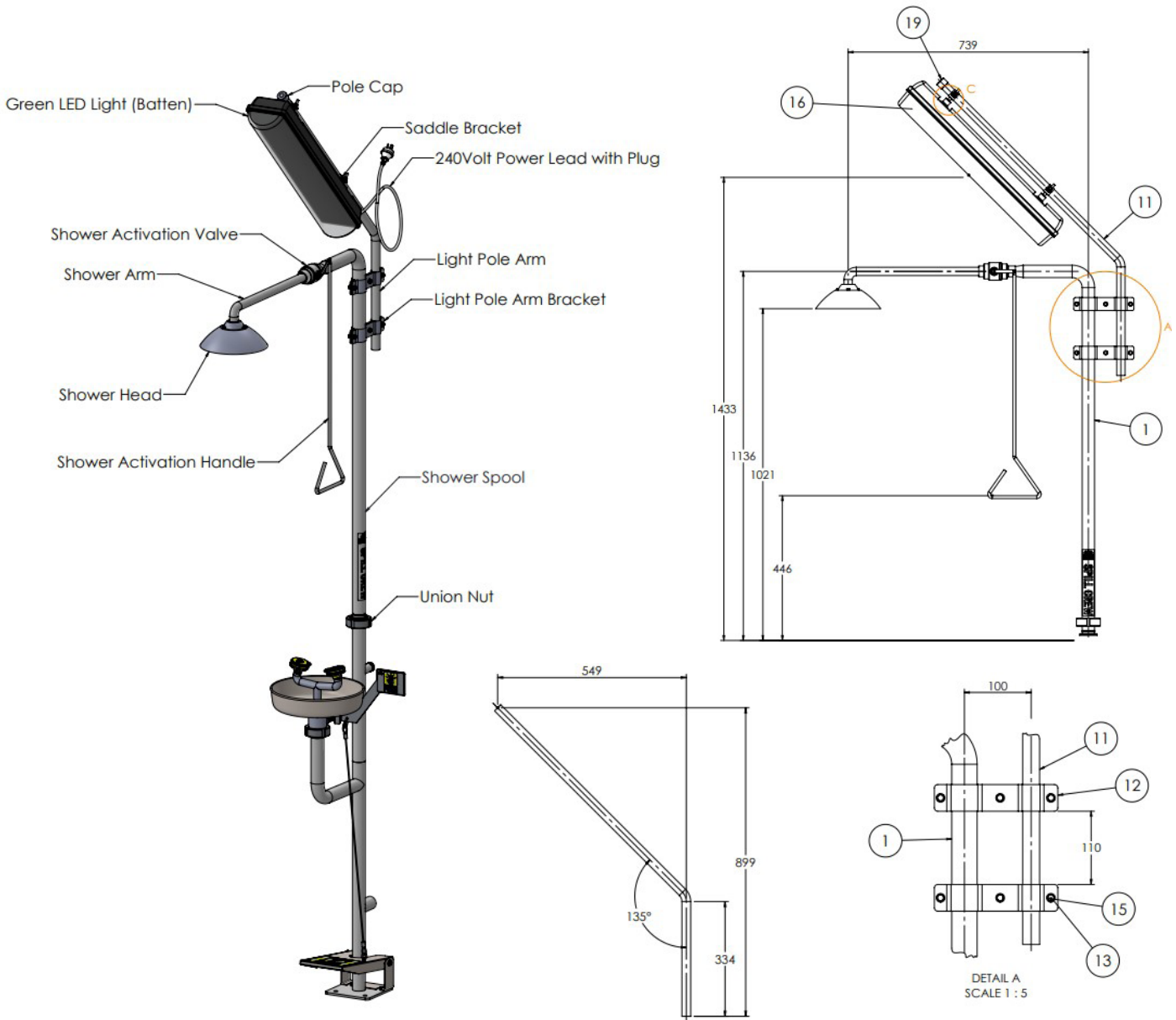


SPECIFICATIONS		
<b>Description:</b>	Light	Light c/w Shower Mount Kit
<b>Product code:</b>	SCES-LED6G	SCES-LED6GSMK
<b>Power:</b>	240 volt, 18W	
<b>Lumen output:</b>	1880lm	
<b>IP rating:</b>	IP65	
<b>Weight:</b>	0.9kg	3kg
<b>Battery back up:</b>	Self-test, 2hr, LiFePo4	
<b>Connection:</b>	1.7m power cable, 3 pin plug	
<b>Life expectancy (L70):</b>	50,000 hrs	
<b>Dimensions (LxWxH):</b>	650mm x 117mm x70mm	Refer drawing on page 2
<b>Light Construction:</b>	Polycarbonate body & diffuser	
<b>Mounting Kit:</b>	Excluded	Two piece angled arm, arm brackets, saddle clamps & fixings - 316 stainless steel



# Technical Data Sheet

## Emergency Eyewash and Shower Equipment



### COMPLIANCE

Whilst lighting colour is not referenced in Australian standard AS4775-2007, the standard does require each eyewash, shower or eye/face wash location be identified with a highly visible sign that is well illuminated and visible throughout the area served by the eyewash.

*Note: Due to ongoing research, development and continual improvement, specifications may change without notice.*